


FUNCTION	COLOUR	AWG	
MOTOR U	YELLOW	AWG20	 Housing:H66L6-04P Terminal:T66L6-A
MOTOR V	RED	AWG20	
MOTOR W BLACK	BLACK	AWG20	
MOTOR PE	YELLOW/GREEN	AWG20	

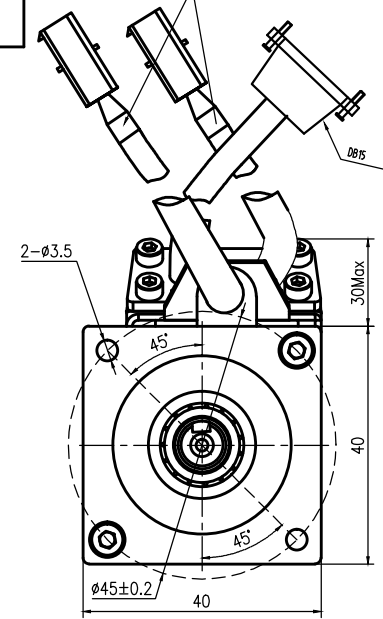
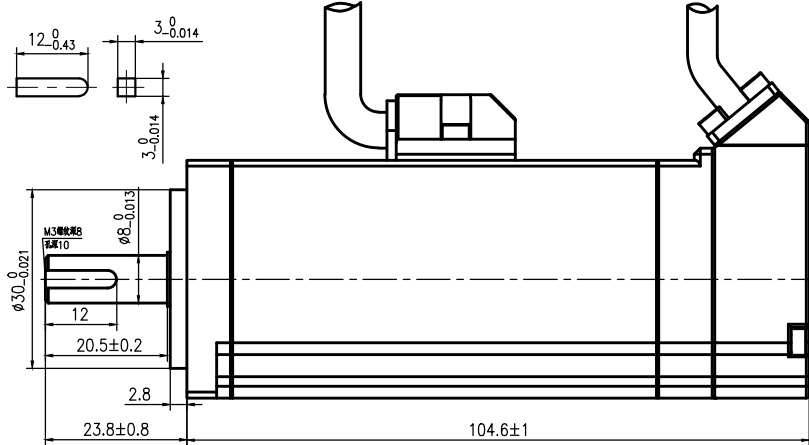
Connector Detail (Power Wire Cable diameter 6.5mm)

PIN	FUNCTION	COLOR	AWG	PIN	FUNCTION	COLOR	AWG
1	VCC +5V	WHITE	AWG28	9	SD	BLUE	AWG28
2	GND	BLACK	AWG28	10	NC	NC	
3	shield			11	NC	NC	
4	VB	ORANGE	AWG28	12	NC	NC	
5	GND	BROWN	AWG28	13	NC	NC	
6	NC	NC		14	/SD	PURPLE	AWG28
7	NC	NC		15	NC	NC	
8	NC	NC					

Connector Detail (Feedback Wire Cable diameter 5mm)

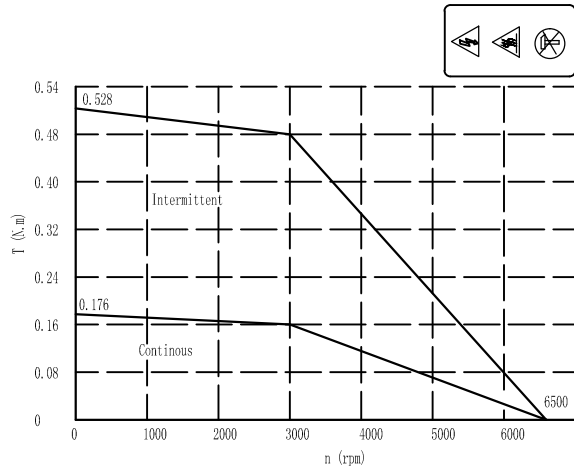
COLOUR	FUNCTION	AWG	
YELLOW	BRAKE(24V)+	AWG24	 Housing:H66L6-02P Terminal:T66L5-A
YELLOW	BRAKE(0V)-	AWG24	

Connector Detail (Brake Wire Cable diameter 6mm)  
L ≥ 300



Brake Data			
Mo	0.32Nm	Pw	5.9W
Voltage Ubc	24	Max speed	5000

Technical Data	
No. of poles	10
DC Link Voltage Ubc (DC Link)	300
Rated Power Pw(W)	50
Rated Torque Tw(N.m)	0.16
Rated Speed nw(rpm)	3000
Rated Current Iw(A)	0.8
Maximum torque Tm(N.m)	0.48
Maximum Current Im(A)	2.4
Standstill torque Ts(N.m)	0.176
Standstill current Is(A)	0.88
Resistance line-line Rl(Ω)	16.2
Inductance line-line Ll(mH)	18.5
Electrical time constant τe(ms)	1.14
Mechanical time constant τm(ms)	1.10
Voltage constant Ke(V/krpm)	14.0
Torque constant Kv(Nm/A)	0.232
Rotor moment of inertia Jm(Kg.cm <sup>2</sup> )	0.021
Max. voltage rising du/dt(KV/μs)	8
Insulation class	F
Max. radial force Fr(N)	120
Max. axial force Fa(N)	60
Weight(Kg)	0.6
Feed back device	MAR-MX50AHN00
Temperature sensor	n.a.
Cooling method	Totally enclosed non-ventilated
protection level	IP65,shaft sealing IP54




**Elmo** DC BRUSHLESS MOTOR  
L40-530210ABL

W	50	V	300
A	0.8	Nm	0.16
RPM	3000	Ins	F
		IP	65

Holding brake:24V<sub>DC</sub> M=0.32Nm

MADE For Elmo by Kinavo CHINA E505281

S/N: \*\*\*\*\*KYDDNNNN



REV	DESCRIPTION	REV	ECN NO.	DESCRIPTION	DRN	APP'D	DATE	DESIGN	DATE	P.N.
								ZZB	20190114	
UNLESS OTHERWISE SPECIFIED								MATERIAL	CONTR.	CHECK
TOLERANCES:										YJL
DECIMALS:										APPD
.x ±0.5										SL
.xx ±0.25										20190114
.xxx ±0.1										
UNIT: mm								FIRST ANGLE PROJECTION	SCALE	
DO NOT SCALE DRAWING										SHEET
									OF	
TITLE										Outside Drawing
USED ON										L40-530210ABL
DWG NO.										
REV										V2.0
										ELMO MOTOR